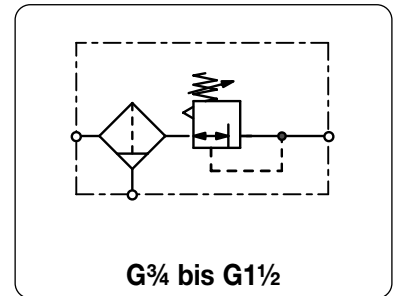


Description	Filter pressure regulator in modular design with large volume flow. Can be blocked with an oiler without use of a double nipple.		
Media	Compressed air or neutral gases		
Supply pressure	max. 17 bar		
Adjustment	with lockable adjustment knob for B530, with T-handle for B511, with adjustment screw for B532		
Relieving function	relieving, optionally non relieving		
Gauge port	G $\frac{1}{8}$ on both sides, screw plugs are supplied		
Filter element	40 μ m, optionally 5 μ m, sintered bronze		
Bowl	metal version with sight glass		
Drainage	manual drain as standard, optionally automatic drain max. 10 bar		
Temperature range	0 °C to 80 °C		
Material	Body: Alu die-cast	Bowl: Alu die-cast	Elastomer: NBR
	Spring cage: glass fibre-reinforced plastic		Inner valve: brass and plastic



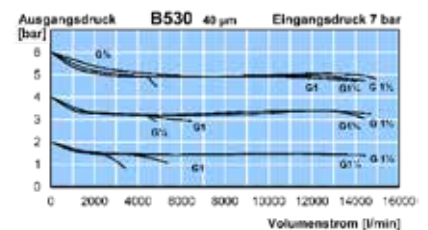
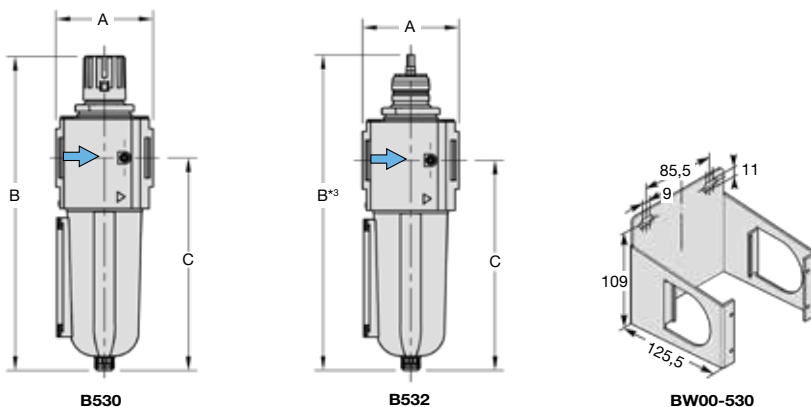
Dimensions			Bowl		Flow rate		P ₁	Connection	Pressure	Order
A	B	C	Design	Capacity	rate	max.	thread	range	number	A*
mm	mm	mm	made of/with	l	m ³ /h*1	l/min*1	bar	bar		

Standard filter pressure regulator										with manual drain, relieving, max. 17 bar	B530
										without gauge, 40 μ m filter element,	
120	416	267	metal/ sight glass	1.0	810	13500	17	G $\frac{3}{4}$	0.2 ... 2	2	B530-06WJA
									0.3 ... 3.5		B530-06WJB
									1.0 ... 10		B530-06WJC
									1.7 ... 17		B532-06WJD
120	416	267	metal/ sight glass	1.0	840	14000	17	G1	0.2 ... 2	2	B530-08WJA
									0.3 ... 3.5		B530-08WJB
									1.0 ... 10		B530-08WJC
									1.7 ... 17		B532-08WJD
120	416	267	metal/ sight glass	1.0	870	14500	17	G1 $\frac{1}{4}$	0.2 ... 2	2	B530-10WJA
									0.3 ... 3.5		B530-10WJB
									1.0 ... 10		B530-10WJC
									1.7 ... 17		B532-10WJD
120	416	267	metal/ sight glass	1.0	900	15000	17	G1 $\frac{1}{2}$	0.2 ... 2	2	B530-12WJA
									0.3 ... 3.5		B530-12WJB
									1.0 ... 10		B530-12WJC
									1.7 ... 17		B532-12WJD



Special options, add the appropriate letter					
adjustment screw	with locknut	up to 10 bar	B + 20 mm *3	B532 - . . W . .	
5 μm Filter element				B53. - . . WG.	
non relieving	without relieving function			B53. - . . W . . K	
automatic drain	SA-500, max. 10 bar			B53. - . . W . . R	
flange connection	according to EN-1092-1 or ASME B16.5		on request	B53. - . . W . . F.	

Accessories, enclosed		
Pressure gauge	Ø 50 mm, 0...*2 bar, G $\frac{1}{8}$	MA5001- . . *2
mounting bracket	made of stainless steel	BW00-530
mounting nut	made of plastic	M55x1,5K



*1 at 8 bar supply pressure, 6 bar outlet pressure and 1 bar pressure drop
 *2 02 = 0...2.5 bar, 04 = 0...4 bar, 06 = 0...6 bar, 10 = 0...10 bar, 16 = 0...16 bar, 25 = 0...25 bar

* Product group

Extensions: see chapter for FRL service units
 Gauges: see chapter for measuring devices

PDF CAD
 www.aircom.net



Order example:
B530-06WJA